



IP67

MOFS01

STAINLESS STEEL FLOODLIGHT FOR HALOGEN LAMPS

APPLICATION AREA:

Multipurpose floodlights for engine rooms, weather-exposed areas, cargo holds, decks, stores, workshops, industrial areas.

DESIGN:

According to the rules of international classification societies, VDE and IEC.

HOUSING:

Stainless steel, powder coated white RAL 9016.
Diffuser made of safety glass.
Reflector made of anodized aluminum, wide beam angle.

MOUNTING:

Stainless steel bracket with three holes $\varnothing 10$.

CONNECTION:

3 pole terminal 6mm.
Junction box (optional).

ELECTRIC:

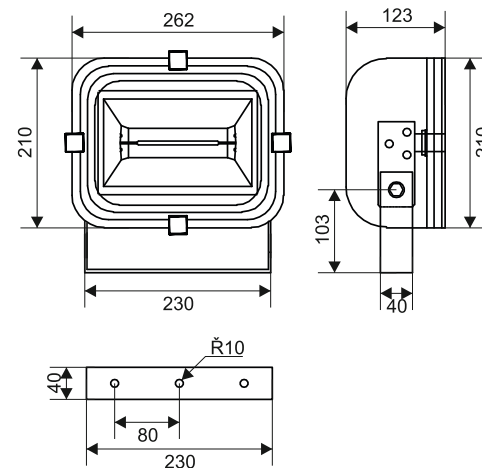
230 V 50 or 60 Hz.
Flexible cable, heat resistant.

LAMPS:

R7s max 500W.

CABLE ENTRY:

Brass cable gland M20.



ORDER CODES:

CODE	VOLTAGE	FREQUENCY	POWER	LAMP LUMEN	LAMP
MOFS01	110-240V	50-60Hz	200W	2850	R7s
			300W	4600	R7s
			500W	9000	R7s

MOFS02

IP67

STAINLESS STEEL FLOODLIGHT FOR HALOGEN LAMPS

APPLICATION AREA:

Multipurpose floodlights for engine rooms, weather-exposed areas, cargo holds, decks, stores, workshops, industrial areas.

DESIGN:

According to the rules of international classification societies, VDE and IEC.

HOUSING:

Stainless steel, powder coated white RAL 9016.
Diffuser made of safety glass.
Reflector made of anodized aluminum, wide beam angle.

MOUNTING:

Stainless steel bracket with three holes $\varnothing 12$.

CONNECTION:

3 pole terminal 6mm.
Junction box (optional).

ELECTRIC:

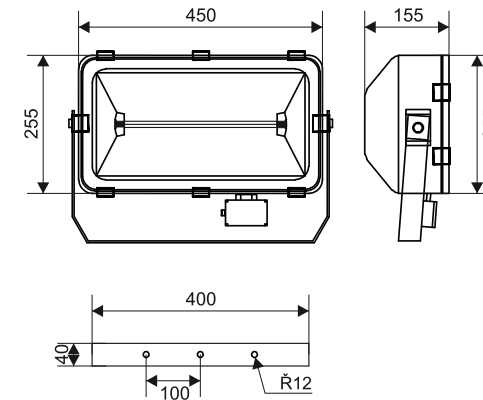
230 V 50 or 60 Hz.
Flexible cable, heat resistant.

LAMPS:

R7s max 1000W.

CABLE ENTRY:

Brass cable gland M20.



ORDER CODES:

CODE	VOLTAGE	FREQUENCY	POWER	LAMP LUMEN	LAMP
MOFS02-R7s	110-240V	50-60Hz	750W	15000	R7s
			1000W	21000	R7s



MARINE LUMINAIRES

MARINE LUMINAIRES